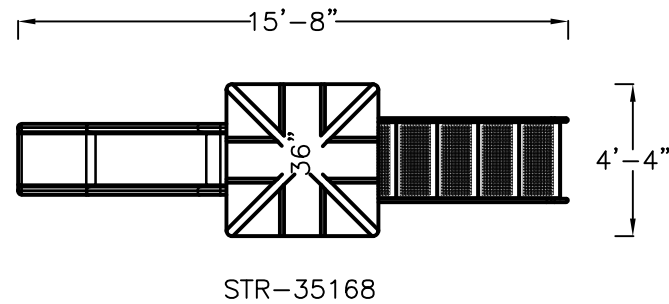
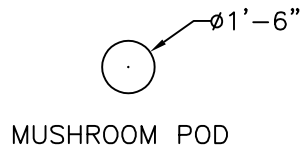
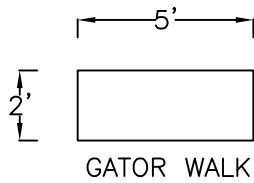


52'-11"

1027.0 Sq. Ft.
ESTIMATED P.I.P. SURFACING



17'-8"



Phone No: 800-447-3349
Fax No: 704-664-1409
www.childforms.com

Carolina Academy
Sales Rep: Playground Packages
Date: 2/3/2017
Drawn By: MA REV: B

Product No: STR-35168
Actual Size: 15'-8" x 4'-4"
Use Zone: 52'-11" x 17'-8"
Complies to ASTM/CPSC: Yes
ADA Components: 2/2 Required: 2/2
Age Group: 2-5 Fall Height: 3'

NOTES:
1. This site plan should be checked against the actual site area prior to the purchase or installation of equipment.
2. The customer's responsibility is to check local soil conditions and drainage within the site. The site must also be surveyed for under-ground utilities prior to excavation.
3. Completely read your installation manual prior to beginning construction.
4. Children should be supervised as they play.
5. This design configuration is the property of this firm and may not be reproduced or used any manner without the expressed written consent of LP Industries and Childforms.